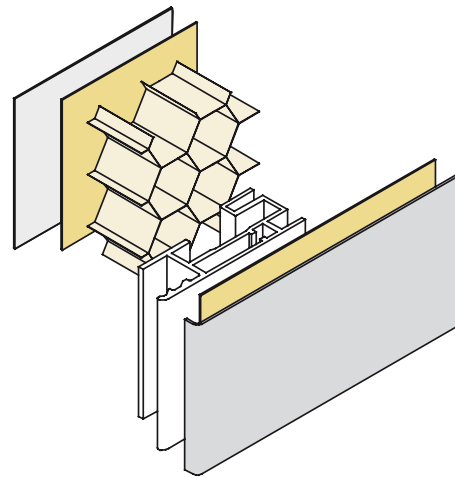




Project : Fachhochschule (FHS)
Location : Dornbirn, Austria
Product : HunterDouglas® Façades: type QuadroClad
Quantity : 3.800 m²
Special : very long panels up to 5,7 mtr
Architect : Walser + Werle Architektengemeinschaft

HunterDouglas

FAÇADES



SYSTEM OVERVIEW QUADROCLAD

QUADROCLAD 25

- 25 mm thick aluminium panel system
- Capability to withstand very high wind loads
- Suitable for high-rise buildings
- Dimensions up to 1500 mm x 6000 mm
- Extremely flat panel surface
- Aluminium honeycomb composite technology
- Finishes: coil coated- and anodised aluminium and stainless steel
- Integrated support structure
- Individual panel installation
- Simple detailing
- Design freedom in panel shape and joints
- Can be used as exterior ceiling
- Integrated window and door system
- Designed to fit Sun Control systems
- Superior quality and durability
- Virtually maintenance free
- Certified wind load performance

